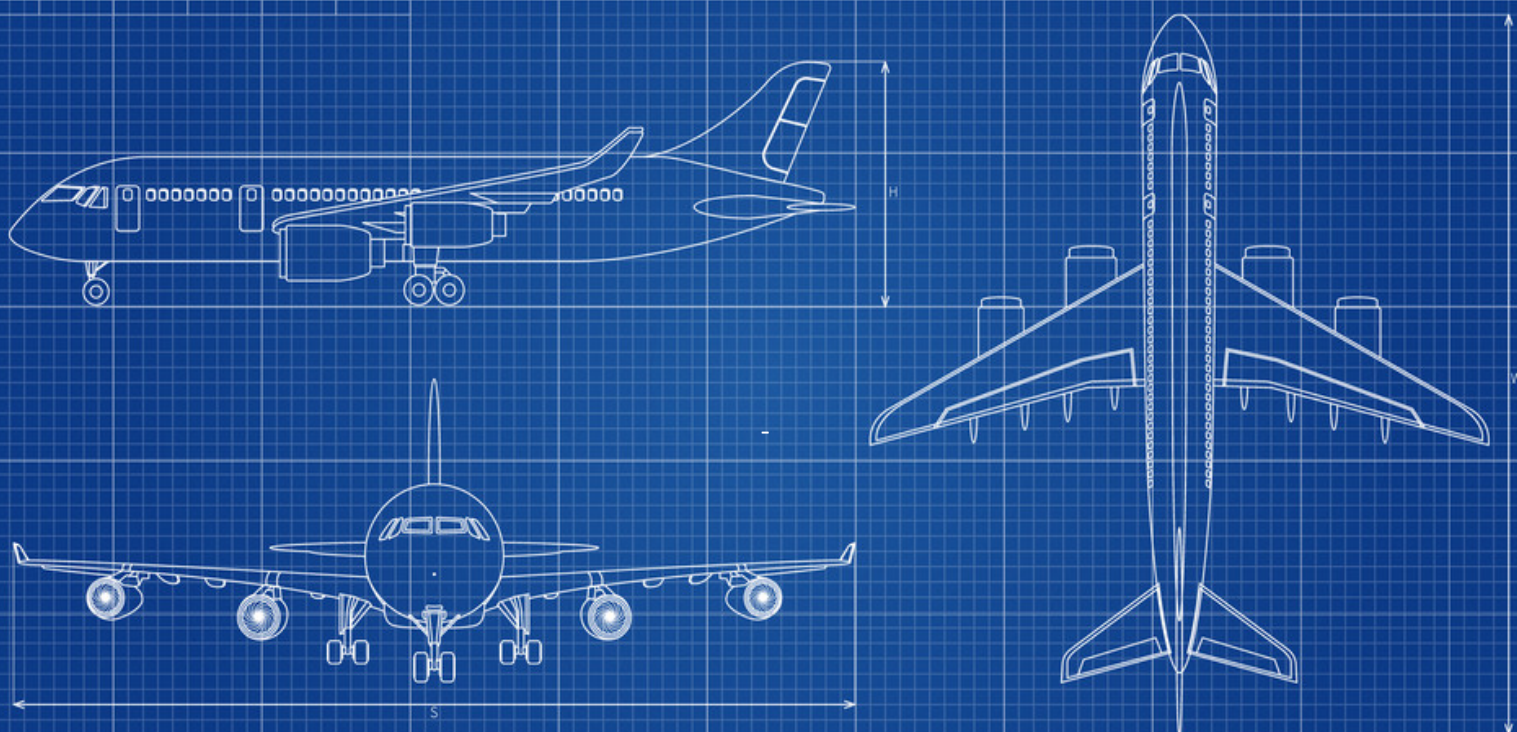




AVIATION DESIGN, PRODUCTION, REPAIR & CERTIFICATION SPECIALIST





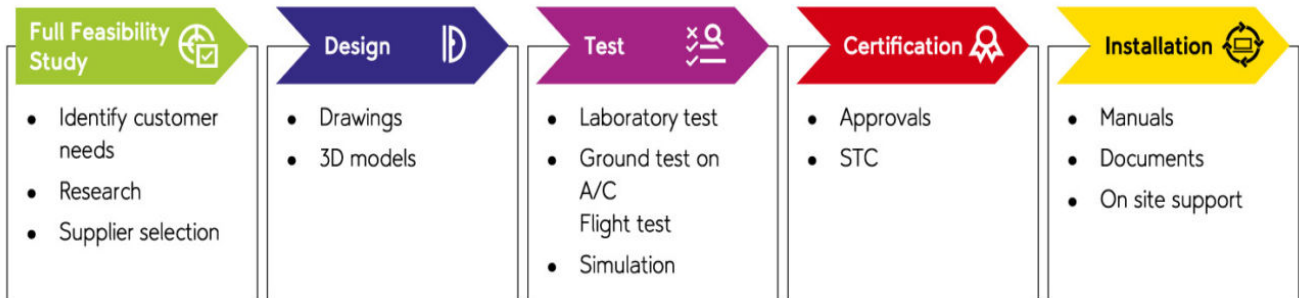
Why choose Ameen ?

We provide a quality focused certification service and offer end-to-end solutions for small and large aircraft upgrades and modifications. Holding CAOIR part21J DOA, CAOIR part21F POA and CAOIR part145 approvals, as well as continued airworthiness for our company owned STCs.

We work collaboratively with you as a team of expert engineers and designers to provide full coverage and support at all stages of the design, production, repair and approval process to ensure an efficient solution is achieved

Our capabilities cover a range of major and minor repairs and design changes for both large and small airplane and rotorcraft.

A trusted and reliable certification partner
CAOIR approved DOA & POA you can depend on



Cabin Interiors

We have the full breath of capabilities when it comes to supporting your cabin interior modification.

- Cabin seating configuration (LOPA's) and seat modifications
- Interior modification such as LED lighting, IFE installations and cabin cosmetic changes
- External liveries and marking

Structural design

Our expert design team will work with you to develop the required structural design change or repair scheme from concept to final approval.

- Design of galleys, toilets, cabin stowage and their installments
- Internal and external equipment racks and mounting of equipment
- Structural repairs

Technical publication

Whether it be a complete manual or a supplement, we provide standalone support to deliver technical publications dependent on your needs.

- Operational suitability data
- Aircraft Flight Manual Supplements
- Aircraft Maintenance Manual, IPC and Wiring Diagram Manual Supplements

Parts and manufacturing

Through our CAOIR Part 21 Subpart F Production approval and our close working relationship with other EASA and CAA approved organizations, we are able to satisfy your needs.

- Released certification of CAOIR Form 1 and certificate of conformity
- Assembly and testing of manufactured parts
- Production design support

Avionic and electrical design

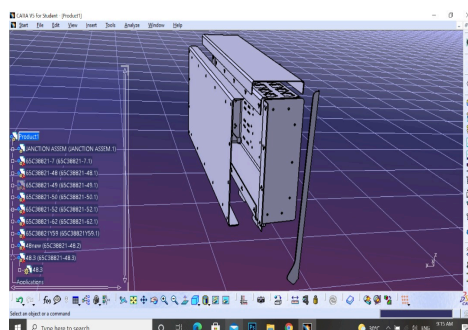
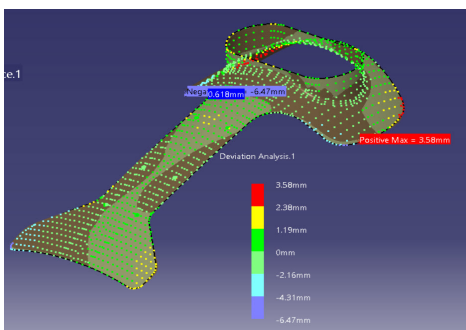
We have the expertise to support you with all your avionic and electrical modifications and installation for both large and small airplane and rotorcraft.

- Evaluate, test and approve commercial equipment to CAOIR, EASA and MOD standards
- Produce installation instructions
- Support with all design, installation and wiring changes

CAMO support

Full continuing airworthiness management services for aircraft operators, covering:

- airframe, engine, APU AD/SB/SL, modifications, maintenance programs, documentation digitalization, liaison with OEMs, reliability reports, providing parts and component supply services.



About us

The history of Ameen

Since 2019, Iranian aviation specialists who had many years of valuable experiences in various filed such as design, production, airworthiness, aviation and quality management gathered together to shape the future growth of a safe, secure and sustainable air transport industry that connects and enriches our world. In Ameen we proudly use the assistance of talent aviation engineers from whole industry and universities to provide the most efficient integrated and comprehensive solutions.

Our mission

Our mission is to provide high quality, competitively priced technical and certification services to the aviation industry. We aspire to have the best reputation for quality, service and delivery and to become the supplier of choice for all of our customers

Our vision

At Ameen, we believe in future where air travel is 100% safe and secure. As the one of the most reliable approved DOA in Iran and middle east, we want to continue to bring innovation to the global aerospace industry. Our team of trusted design and certification experts will continue serving the market, with the goal of ensuring every last aspect of an aircraft meets our stringent standards and improves the way we fly.

2019

Ameen Company established

Began supplying FMS NDB & technical documentation to airlines

2020

Attained CAOIR DOA & POA approval & first STC for B737 classic

2021



Attained CAOIR part145 approval to repair avionic and hydraulic components

2022